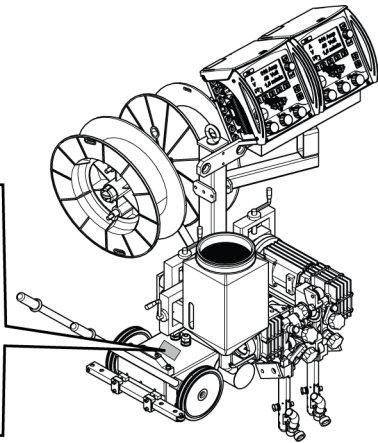


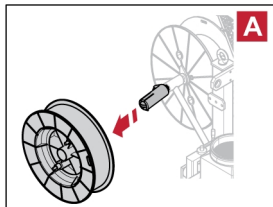
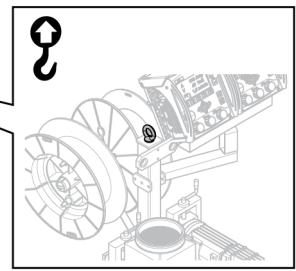
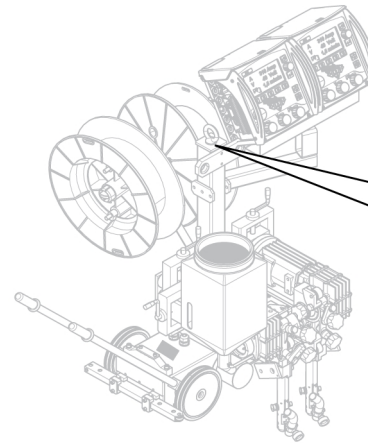
A6 Mastertrac Tandem



UNBOXING

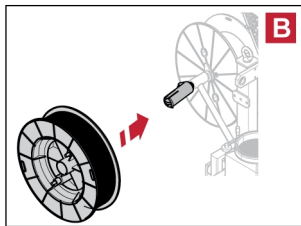


1

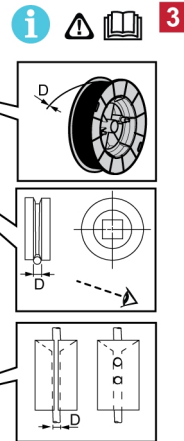


A

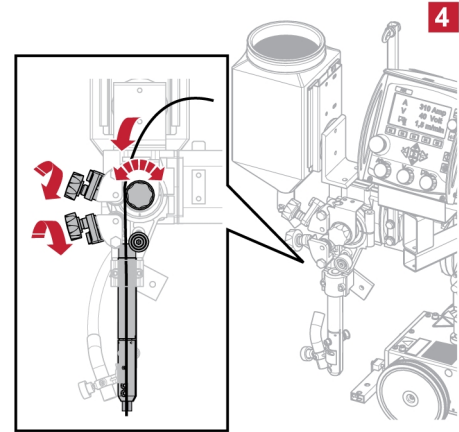
2



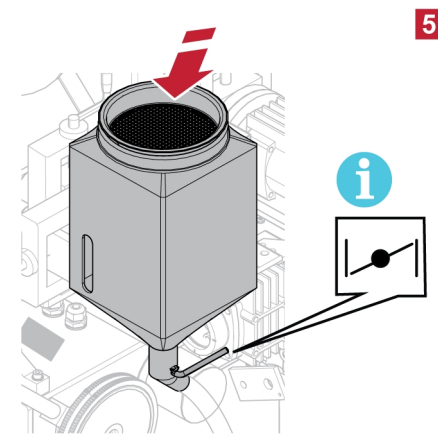
B



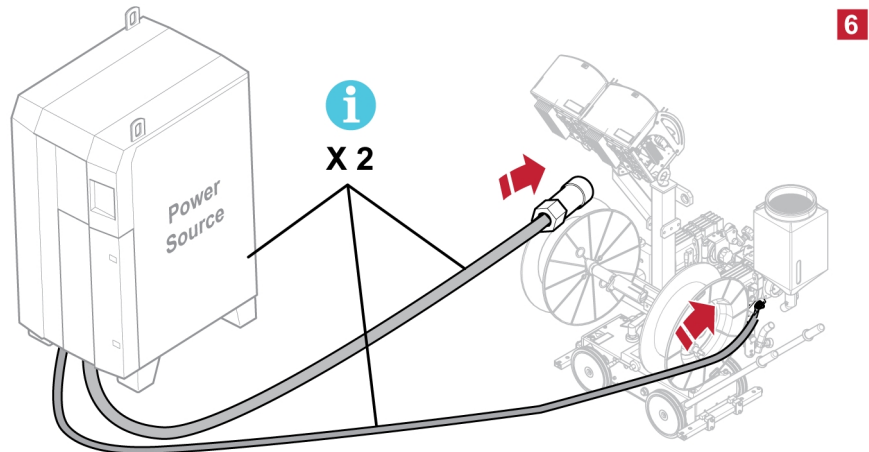
3



4



5

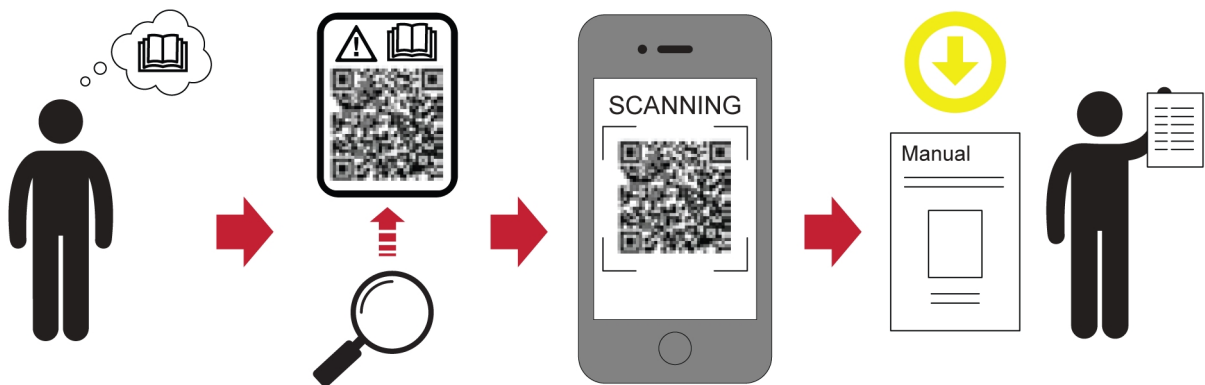
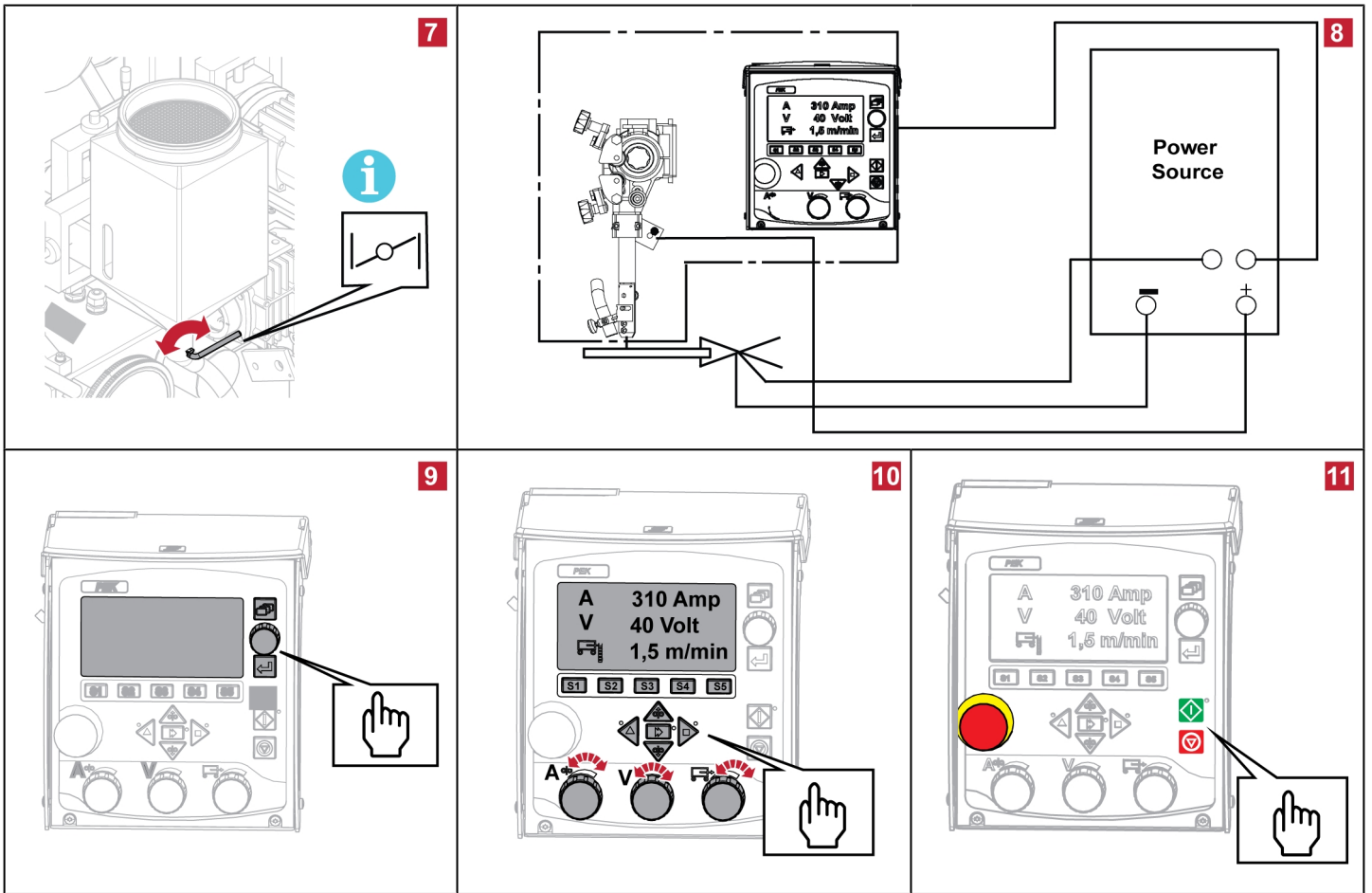


6

X 2

Quick Start Guide

A000 101 678 GB 20260309



For contact information visit esab.com

ESAB Corporation, 2800 Airport Road Denton, TX 76207, USA, Phone +1 800 378 8123

ESAB AB, Lindholmsallén 9, Box 8004, 402 77 Gothenburg, Sweden, Phone +46 (0) 31 50 90 00

manuals.esab.com

